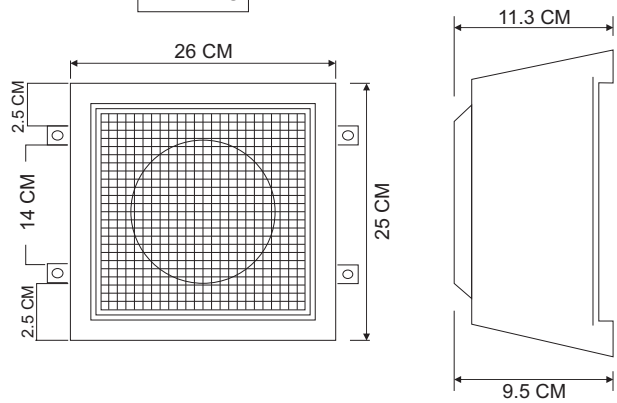


Flush Mount Type Ceiling Speakers

P - 111 T



Dim. mm
H : 250
W : 260
D : 113



Features:

- Wall mounted with 15 cm cone speaker for announcement and paging.
- Attractive, stylish ABS white plastic box.
- Cost effective high power PA box.
- The specially designed sculptured edge offer both style and protection.
- Equipped with the transformer to provide tappable 100V line.
- Provision to connect with 100V line and 4 ohms.
- Optional Volume control.

S P E C I F I C A T I O N S	
Model	P-111 T
MUSIC POWER	20 W
TAPPINGS	100 V LINE/4 ohms
IMPEDANCE	2.5W 5W 10W (Inside)
DYNAMIC CONE SPEAKER	1 X 15 CM
FREQ. RESP.	100-15000 Hz
SPL @ (1W/1M)	92 dB
WEIGHT (KG.)	1.850 (Approx.)
REAR BOARD	PARTICLE BOARD